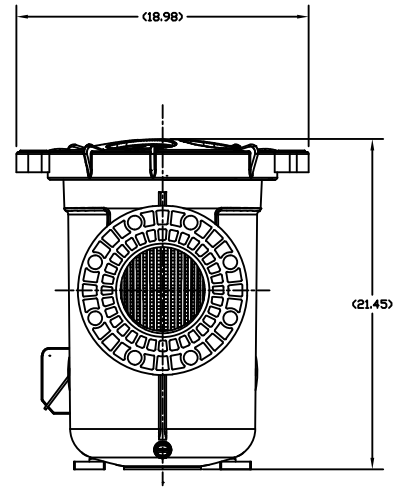
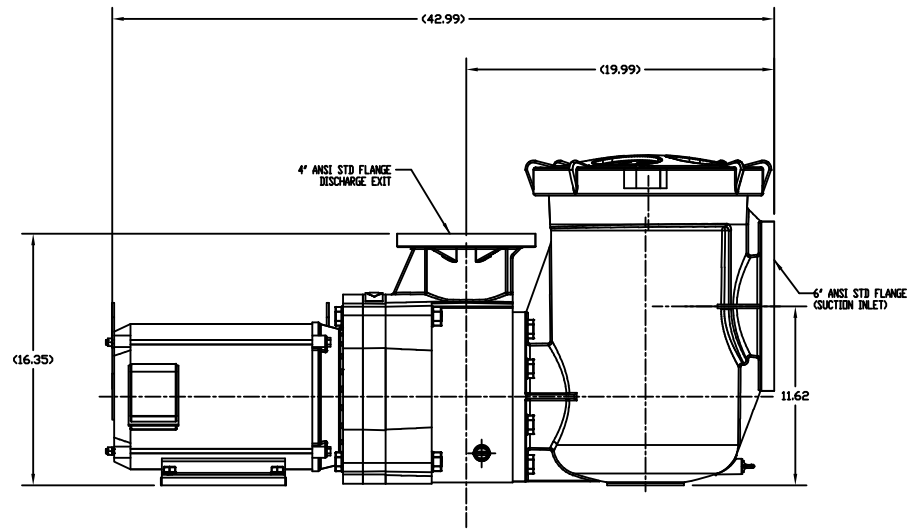
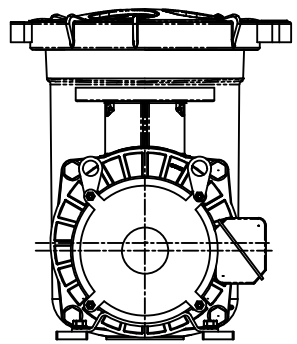
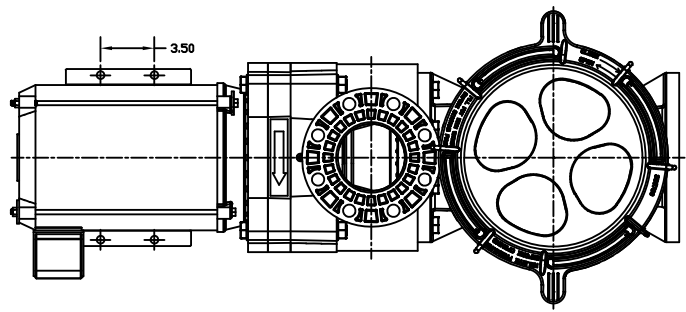


8 7 6 5 4 3 2 1

UNLESS OTHERWISE SPECIFIED:  
 DIMENSIONS ARE IN INCHES  
 UNLESS SHOWN OTHERWISE  
 TOLERANCES: FRACTIONS: ±1/64"  
 DECIMALS: ±0.005"  
 ANGLES: ±1°  
 SURFACE FINISH: SEE PART SPECIFICATIONS  
 DIMENSIONS TO BE CONCENTRIC  
 UNLESS SHOWN OTHERWISE  
 UNLESS OTHERWISE SPECIFIED:  
 DIMENSIONS ARE IN INCHES  
 UNLESS SHOWN OTHERWISE  
 TOLERANCES: FRACTIONS: ±1/64"  
 DECIMALS: ±0.005"  
 ANGLES: ±1°  
 SURFACE FINISH: SEE PART SPECIFICATIONS  
 DIMENSIONS TO BE CONCENTRIC  
 UNLESS SHOWN OTHERWISE



UNLESS OTHERWISE SPECIFIED: DIMENSIONS ARE IN INCHES UNLESS SHOWN OTHERWISE TOLERANCES: FRACTIONS: ±1/64" DECIMALS: ±0.005" ANGLES: ±1° SURFACE FINISH: SEE PART SPECIFICATIONS DIMENSIONS TO BE CONCENTRIC UNLESS SHOWN OTHERWISE UNLESS OTHERWISE SPECIFIED: DIMENSIONS ARE IN INCHES UNLESS SHOWN OTHERWISE TOLERANCES: FRACTIONS: ±1/64" DECIMALS: ±0.005" ANGLES: ±1° SURFACE FINISH: SEE PART SPECIFICATIONS DIMENSIONS TO BE CONCENTRIC UNLESS SHOWN OTHERWISE	DO NOT SCALE DRAWING	2395 Apopka Blvd Apopka, FL 32703		
	DRAWN	SIGNATURES	DATE	TITLE
	CHECKED	SEE PCB FOR APPROVAL SIGNATURES	VERUS	
	DATE	COMMENTS	SCALE: 1:1	SHEET 1 OF 1