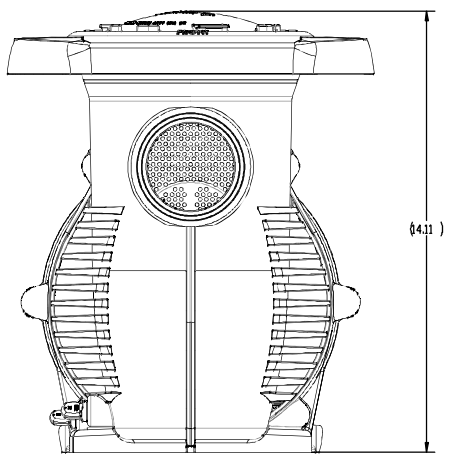
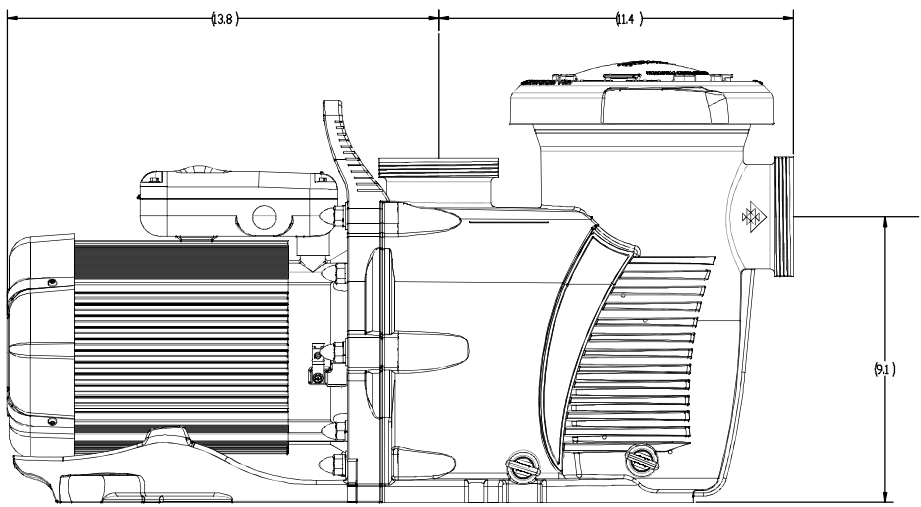
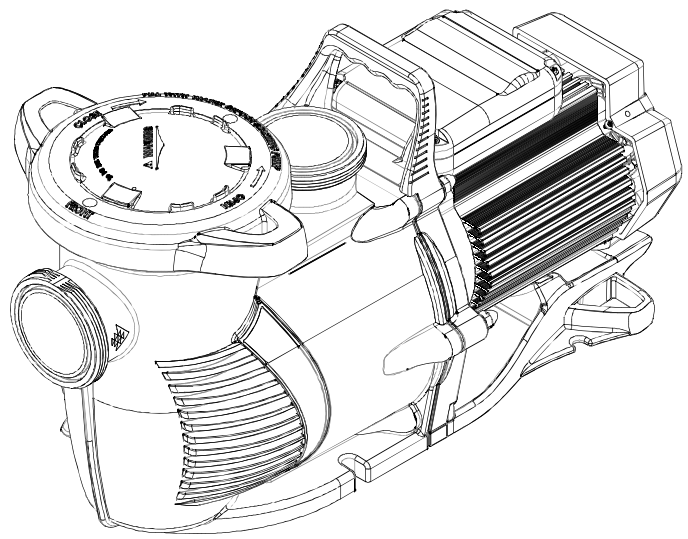
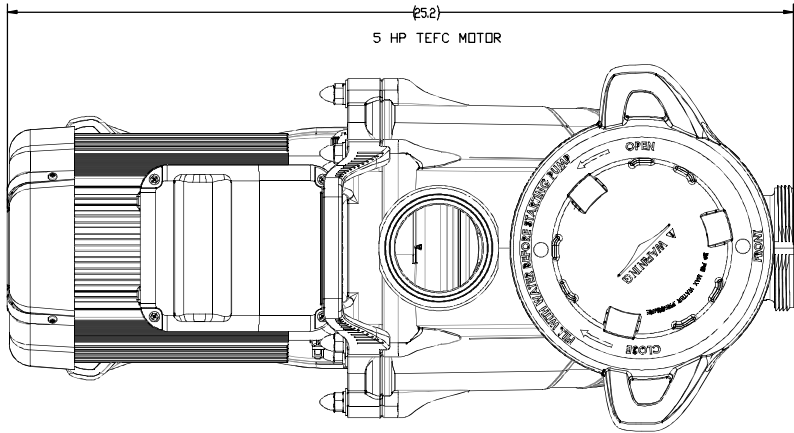


THE INFORMATION CONTAINED HEREIN IS THE PROPERTY OF PENTAIR AQUATIC ECO-SYSTEMS, INC. NO PORTION OF THIS DATA SHALL BE RELEASED, DISCLOSED, USED, OR DUPLICATED FOR USE IN PROCUREMENT OR MANUFACTURING WITHOUT SPECIFIC WRITTEN PERMISSION FROM PENTAIR AQUATIC ECO-SYSTEM, INC.

COMPUTER GENERATED DOCUMENT.
MANUAL CHANGES NOT ALLOWED.



DO NOT SCALE DRAWING				2395 Apopka Blvd Apopka, FL 32703	
SIGNATURES	DATE				
DRAWN: S. BROWN	7/1/15	TITLE: H3 PLUS			
CHECKED:		SEE PCH FOR APPROVAL SIGNATURES			
SIZE/ING. NO.	REV.	SHEET: 1 OF 1			
D	J	SCALE: 3/8" = 1"			