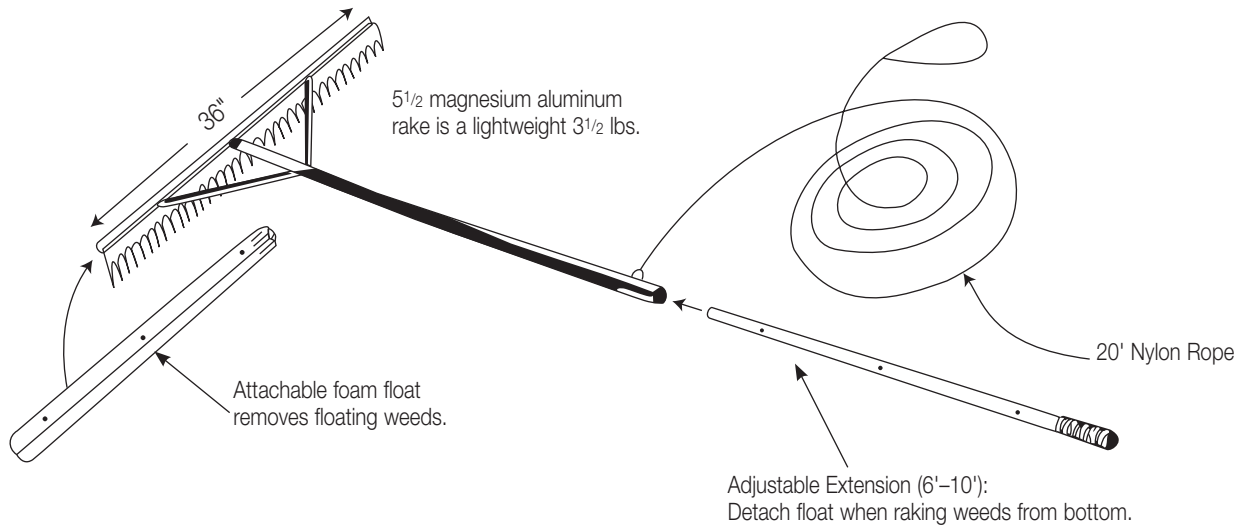


Aquatic Weed Rake

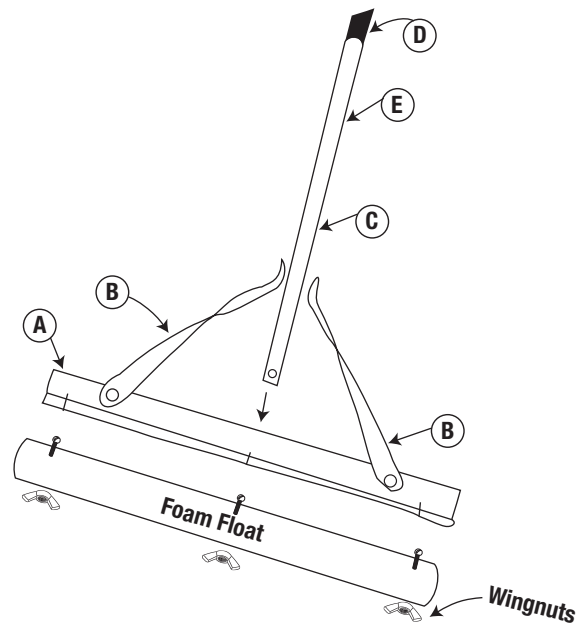
(Part No. AWR1)

Thank you for your purchase of the Pentair Aquatic Weed Rake from Aquatic Eco-Systems. The **AWR1** is an excellent tool for removing cut or lightly rooted weeds from your lake or pond.



Assembly Instructions

1. Select the rake head (A). Pivot the braces (B) into position as shown.
2. Insert the handle (C) into the rake head, aligning the holes. Secure these with the short bolt and a nut.
3. Align the holes in the braces with the holes in each side of the handle and secure with the long bolt and a nut.
4. Attach the foam float with 3 wingnuts and washers to rake head (A).
5. When using rake to remove lake bottom weeds, remove cap (D). Insert adjustable extension to desired length. Place eye bolt (E) in holes and tighten. Detach foam float.



AQUATIC ECO-SYSTEMS™