

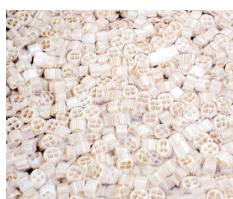
## AQUATIC ECO-SYSTEMS™



### SWEETWATER™ SWX BIO-MEDIA

- Very high surface area; 274 ft<sup>2</sup>/ft<sup>3</sup>.
- Manufactured from 100% virgin HDPE polymer.
- Developed specifically for use in Moving Bed Biofilm Reactors (MBBR).
- Available in Cubic Foot quantities; or in bulk bag quantities of One Cubic Meter.
- Highly-competitive pricing.
- Special discounts may be available for larger bulk orders, contact us for details.

Successful biofiltration using moving bed technology requires the use of the right media. Pentair's Sweetwater SWX Bio-Media is the ideal choice at a great price. These biofilm carrier elements are made from 100% virgin high-density polyethylene. With a surface area of 274 ft<sup>2</sup>/ft<sup>3</sup> this proven geometric design provides an abundant amount of surface area for bacteria to colonize. Robust bacteria colonization is essential to the nitrification process of converting ammonia to nitrite and ultimately nitrate. Pentair's Sweetwater SWX Bio-Media's positively buoyant characteristic allows for continuous movement in a bio-filtration tank with the use of an air pump or blower. The constant circulating action exfoliates the older, less active bacterial layer; which eliminates the need for backwashing and allows the media to be self-cleaning.



Media With No Flow



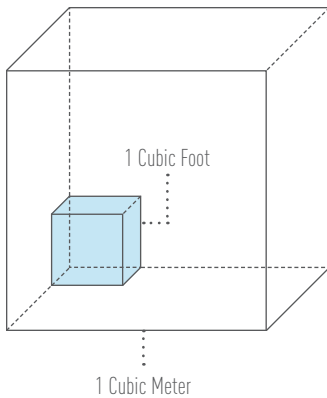
Media With Water Flow



Media In Bioreactor

# NEW!

## SWEETWATER™ SWX BIO-MEDIA



PART NUMBER	EA	SURFACE AREA	DIAMETER	LENGTH	PRICE
BF150A	1 Cubic Foot	274 ft <sup>2</sup> /ft <sup>3</sup>	7/16"	9/32"	\$39.50
BF150B	1 Cubic Meter	274 ft <sup>2</sup> /ft <sup>3</sup>	7/16"	9/32"	\$1,255.00 (Save 10%)

### NOTES

- BF150B ships in pallet-sized bulk bag and requires liftgate/forklift handling.
- For reference purposes: 35.3 Cubic Feet equal One Cubic Meter.



## AQUATIC ECO-SYSTEMS™

2395 Apopka Blvd., Apopka, FL 32703 407.886.3939 PentairAES.com

©2014 Pentair Aquatic Eco-Systems, Inc. All rights reserved

All Pentair trademarks and logos are owned by Pentair or one of its global affiliates. Pentair Aquatic Eco-Systems™ and Sweetwater™ SWX Bio-Media are trademarks of Pentair Aquatic Eco-System, Inc. and/or its affiliated companies in the United States and/ or other countries. Unless expressly noted, names and brands of third parties that may be used in this document are not used to indicate an affiliation or endorsement between the owners of these names and brands and Pentair Aquatic Eco-Systems, Inc. Those names and brands may be the trademarks or registered trademarks of those third parties. Because we are continuously improving our products and services, Pentair reserves the right to change specifications without prior notice. Pentair is an equal opportunity employer.

If you have any questions, please do not hesitate to contact your Pentair Aquatic Eco-Systems Representative or email [PAES.General@Pentair.com](mailto:PAES.General@Pentair.com).